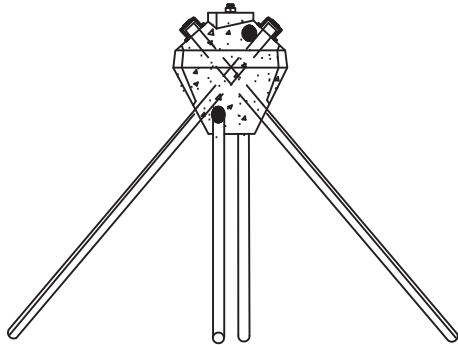
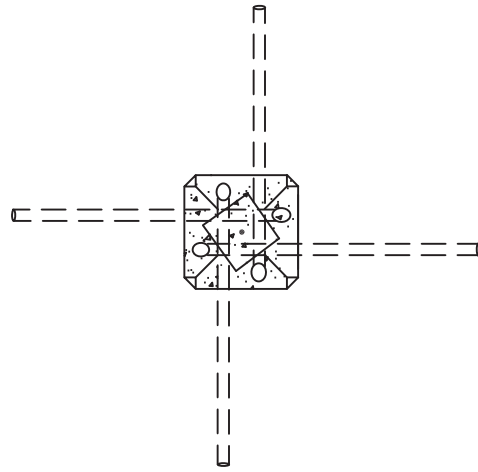


# DIAMOND PIER® DP-200E

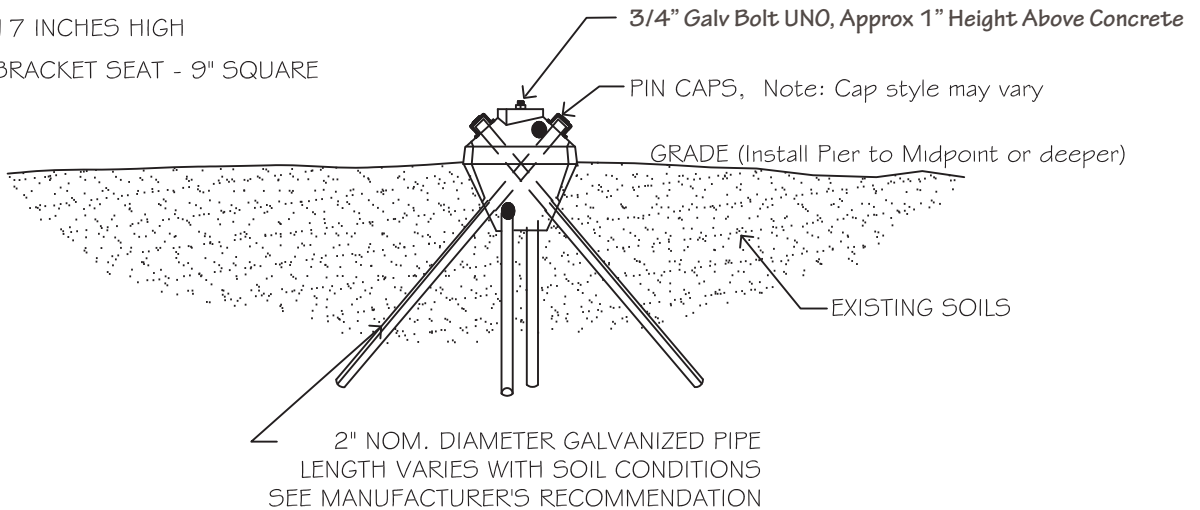


ELEVATION W/ PINS



PLAN VIEW W/ PINS

WEIGHT 210 LBS. (CONCRETE ALONE)  
 16 INCHES SQUARE AT MIDPOINT  
 17 INCHES HIGH  
 BRACKET SEAT - 9" SQUARE



# DIAMOND PIER® DP-200E

US PAT. #5039256, #6910832, & #7326003

**COPYRIGHT: © 2017**  
 ALL DETAILS IN WHOLE, OR IN PART,  
 OR ANY PORTION THEREOF ARE COPYRIGHTED  
 BY PIN FOUNDATIONS, INC. AND MAY BE USED  
 BY THE RECIPIENT OR THEIR ASSIGNS FOR  
 PROJECT APPLICATIONS ONLY.

DOC0026/01.2017

**PIN FOUNDATIONS, INC.**

GIG HARBOR, WASHINGTON  
 (253) 858-8809