

DiamondPier®

FOUNDATION SYSTEM

MANUFACTURER'S SUGGESTED RETAIL PRICING Effective March 1, 2016

DP-50 Piers with Pins, Plugs, & Caps

Pin length (in.)	1-Bolt
36	\$127
42	\$134
50	\$146

DP-75 Piers with Pins, Plugs, & Caps

Pin length (in.)	1-Bolt
50	\$186
63	\$210

MSRP prices are shown in U.S. Dollars and do not include shipping costs. Minimum order may apply.

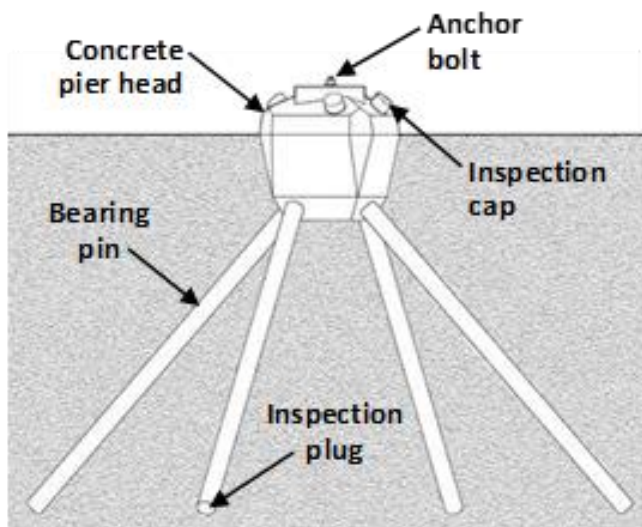
All prices shown include the Diamond Pier concrete pier head, schedule 40 galvanized steel Pins, inspection plugs, and Pin caps.

Driving Bits

When shipped with Diamond Pier order. Minimum order may apply.

Standard Size – **\$189**

For use with models DP-50 and DP-75



The Diamond Pier products listed on this page are available through our national dealer channel. Check our website for a list of retail stocking dealers: www.diamondpiers.com.

If you do not see a dealer in your area, please contact Pin Foundations, Inc.

For other Diamond Pier products, please contact a Pin Foundations, Inc., representative for commercial & special-order information at:

Email: info@diamondpiers.com

Main Office: 253 858 8809

Toll Free: 866-255-9478

© 2016 Pin Foundations, Inc. All Rights Reserved